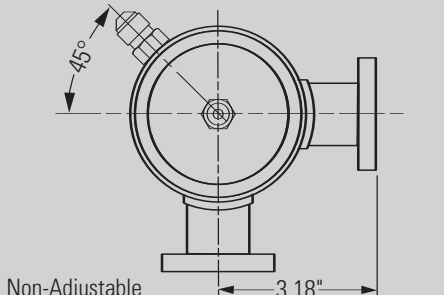
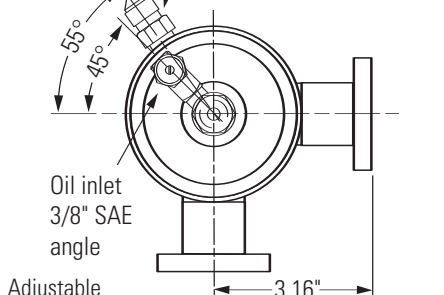
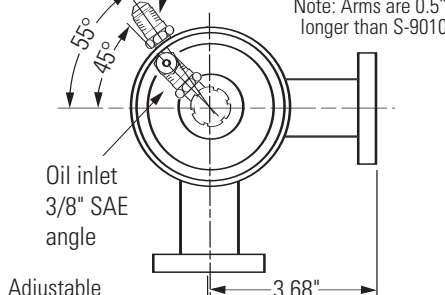
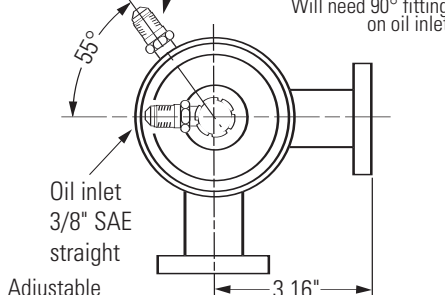
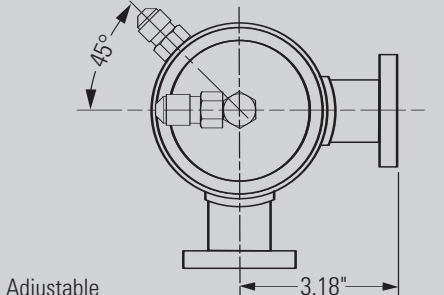
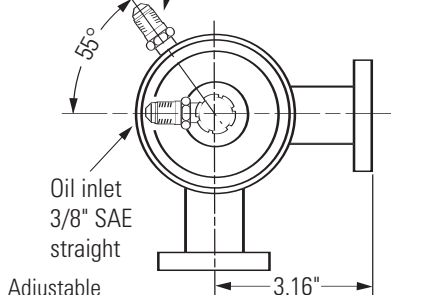
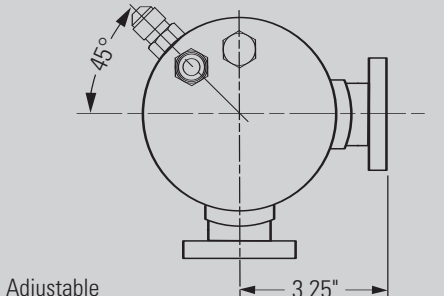
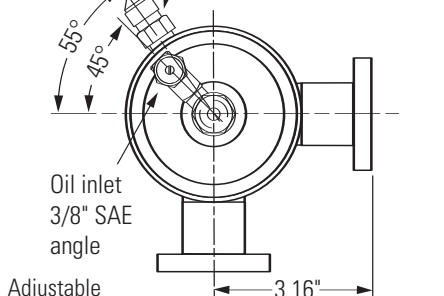
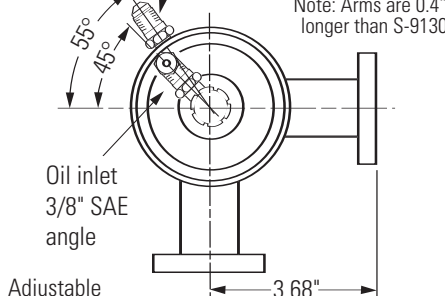
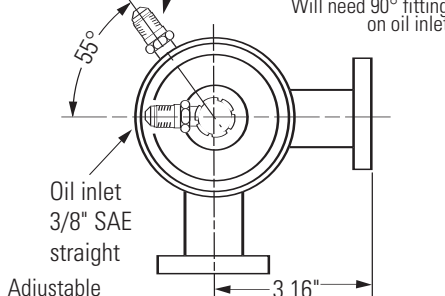




COMPETITOR CROSS-REFERENCE FOR MECHANICAL OIL LEVEL CONTROLS

AC&R Oil Level Control	Sporlan Drop In	Sporlan Alternates	
<p>S-9010</p>  <p>Non-Adjustable 3.18"</p>	<p>3/8" SAE oil equalization ftg.</p> <p>OL-60AR</p>  <p>Oil inlet 3/8" SAE angle</p> <p>Adjustable 3.16"</p>	<p>3/8" SAE oil equalization ftg.</p> <p>OL-60FH</p> <p>Note: Arms are 0.5" longer than S-9010</p>  <p>Oil inlet 3/8" SAE angle</p> <p>Adjustable 3.68"</p>	<p>3/8" SAE oil equalization ftg.</p> <p>OL-60XH</p> <p>Will need 90° fitting on oil inlet</p>  <p>Oil inlet 3/8" SAE straight</p> <p>Adjustable 3.16"</p>
<p>S-9090</p>  <p>Adjustable 3.18"</p>	<p>3/8" SAE oil equalization ftg.</p> <p>OL-60XH</p>  <p>Oil inlet 3/8" SAE straight</p> <p>Adjustable 3.16"</p>		
<p>S-9130</p>  <p>Adjustable 3.25"</p>	<p>3/8" SAE oil equalization ftg.</p> <p>OL-60AR</p>  <p>Oil inlet 3/8" SAE angle</p> <p>Adjustable 3.16"</p>	<p>3/8" SAE oil equalization ftg.</p> <p>OL-60FH</p> <p>Note: Arms are 0.4" longer than S-9130</p>  <p>Oil inlet 3/8" SAE angle</p> <p>Adjustable 3.68"</p>	<p>3/8" SAE oil equalization ftg.</p> <p>OL-60XH</p> <p>Will need 90° fitting on oil inlet</p>  <p>Oil inlet 3/8" SAE straight</p> <p>Adjustable 3.16"</p>