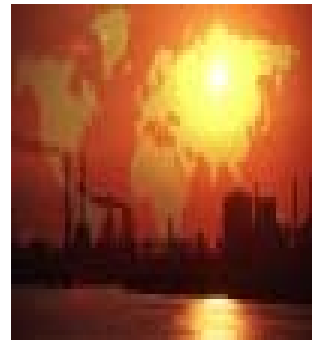


3 & 4-way 0.6 Watt Low Power Valves

Piped and Direct Mount NAMUR

1/4-3/4" NPT



General Description:

3 and 4 Way Low Power, Direct Acting and Pilot Operated Valves in Brass, Aluminum and Stainless Steel are suitable for use in general industrial process fluid control applications and for control valve pilot actuation where power consumption is a concern. These valves are also compatible for use in factories utilizing Distributed Control Systems (DCS) with power limitations integral to their bus networks and back up power systems as well as in Safety Instrumented Systems (SIS).

Low Power operator designs consider system parameters for supervisory or leakage currents. Pilot operated valves require the minimum operating pressure differential specified to ensure proper operation. Direct acting valves do not require a pressure differential.



Installation

Valves can be mounted in any position. The preferred orientation is with the coil vertical and upright

Compatible Fluids

Lubricated Air and Inert Gases

Use of non-lubricated gaseous media will substantially limit valve life.

Electrical Characteristics:

Standard Voltages:

DC Only – 12 & 24 volts
0.6 watts (thru max. amb. Temp.)

Coil Classification: Class F

Agency Approvals:

Low Power Coils with NEMA Type 4x or NEMA Type 7/9 (Class I, Div 1&2, Groups A,B,C,D: Class II, Div 1&2, Groups E,F,G: Class III Div 1) solenoid enclosures are UL Listed and CSA Certified.

SIL-3 Capable

- (Models 73317xx, 73417xx, 73377xx, 73477xx)

Min. Ambient Temp: -40 F
(Dew point must be more than 7 F below ambient temp.)

Max. Ambient Temp: 150 F

Max. Fluid Temp: 167 F

Applications:

- Pilot valve actuation of larger control valves
- Oil & Gas applications including off-shore drilling and well heads
- Single or double acting cylinder control
- Back up and Battery Power
- Damper Control
- Compressor Unloading
- Turbines

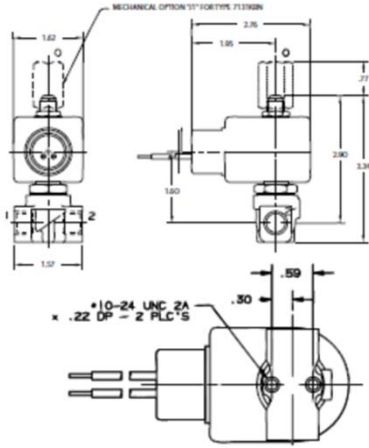


Port Size NPT	Orifice Size in.	Flow Factor Cv	Operating Pressure Differential (MOPD) PSI			Max. Media Temp. °F	Seal	Pressure Vessel Number	Reference	
			Min.	Air, Inert Gas	DC Watt				Coil	Valve
3-Way Direct Acting Normally Closed - Brass										
1/4	1.0mm	0.04	0	150	0.6	185	FKM	7131KBN2EV90	12	B12
3-Way Direct Acting Stainless Steel										
1/4	1.0mm	0.04	0	150	0.6	185	FKM	7131VVN2EV90	12	B5
Port Size NPT	Orifice Size in.	Flow Factor Cv	Operating Pressure Differential (MOPD) PSI			Max. Media Temp. °F	Seal	Pressure Vessel Number	Reference	
			Min.	Air, Inert Gas	DC Watt				Coil	Valve
3-Way Pilot Operated Normally Closed - Brass										
3/8	3/8	2.10	10	150	0.6	167	FKM/NBR	73312BN3RN90	12	B24
1/2	1/2	3.60	10	150	0.6	167	FKM/NBR	73312BN4UN90	12	B24
3/4	3/4	7.30	10	150	0.6	167	FKM/NBR	73312BN52N90	12	B26
Port Size NPT	Orifice Size in.	Flow Factor Cv	Operating Pressure Differential (MOPD) PSI			Max. Media Temp. °F	Seal	Pressure Vessel Number	Reference	
			Min.	Air, Inert Gas	DC Watt				Coil	Valve
3/2, 3-Way 2 Position Single Solenoid - In Line - Brass										
1/4	1/4	1.20	30	150	0.6	150	NBR	73317BN2PN90	12	B22
1/2	5/8	4.00	30	150	0.6	150	NBR	73317BN4UN90	12	B33
3/2, 3-Way 2 Position Single Solenoid - In Line - Stainless Steel										
1/4	11/64	0.55	30	150	0.6	150	NBR	73317VN2KN90	12	B22
1/4	1/4	1.20	30	150	0.6	150	NBR	73317VN2PN90	12	B22
Port Size NPT	Orifice Size in.	Flow Factor Cv	Operating Pressure Differential (MOPD) PSI			Max. Media Temp. °F	Seal	Pressure Vessel Number	Reference	
			Min.	Air, Inert Gas	DC Watt				Coil	Valve
5/2, 4-Way 2 Position Single Solenoid - In Line - Brass										
1/4	1/4	1.20	30	150	0.6	150	NBR	73417BN2PN90	12	C1
1/2	5/8	4.00	30	150	0.6	150	NBR	73417BN4UN90	12	C10
5/2, 4-Way 2 Position Single Solenoid - In Line - Stainless Steel										
1/4	1/4	1.20	30	150	0.6	150	NBR	73417VN2PN90	12	C1
5/2, 4-Way 2 Position Dual Solenoid - In Line - Brass										
1/4	1/4	1.20	30	150	0.6	150	NBR	73477BN2PN90	12	C3
1/2	5/8	4.00	30	150	0.6	150	NBR	73477BN4UN90	12	C11
5/2, 4-Way 2 Position Dual Solenoid - In Line - Stainless Steel										
1/4	1/4	1.20	30	150	0.6	150	NBR	73477VN2PN90	12	C3
Port Size NPT	Orifice Size in.	Flow Factor Cv	Operating Pressure Differential (MOPD) PSI			Max. Media Temp. °F	Seal	Pressure Vessel Number	Reference	
			Min.	Air, Inert Gas	DC Watt				Coil	Valve
3/2 or 5/2, 4-Way 2 Position Single Solenoid - NAMUR Direct Mount - Aluminum										
1/4	11/64	0.55	30	150	0.6	150	NBR	73417AKDKN90	12	C13
1/4	1/4	1.20	30	150	0.6	150	NBR	73417AKDPN90	12	C13
3/2 or 5/2, 4-Way 2 Position Dual Solenoid - NAMUR Direct Mount - Aluminum										
1/4	11/64	0.55	30	150	0.6	150	NBR	73477AKDKN90	12	C14
1/4	1/4	1.20	30	150	0.6	150	NBR	73477AKDPN90	12	C14

Valve Reference B12



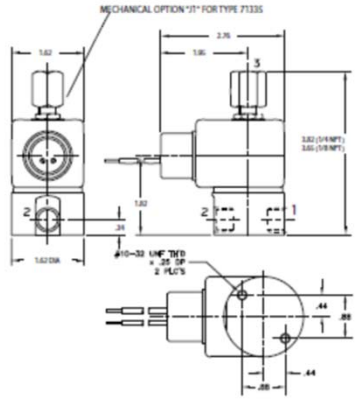
3-Way Normally Closed
Port Identification
1-Cylinder/2-Pressure/0-Exhaust



Valve Reference B5



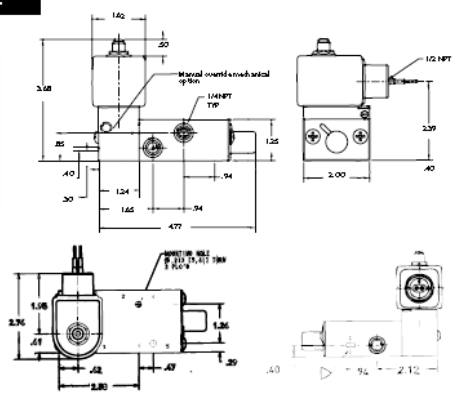
3-Way Normally Closed
Port Identification
1-Pressure / 2-Cylinder / 3-Exhaust



Valve Reference B22



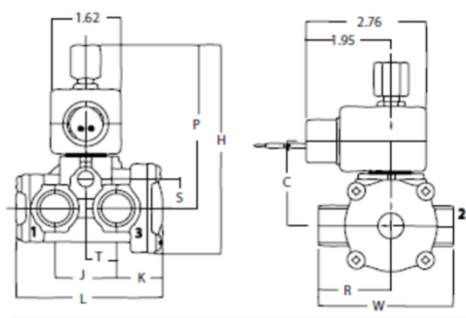
2-Way Normally Closed
Port Identification
2-Cylinder/1-Pressure/2-Exhaust



Valve Reference B24



3-Way Normally Closed
Port Identification
1-Pressure/2-Cylinder/3-Exhaust

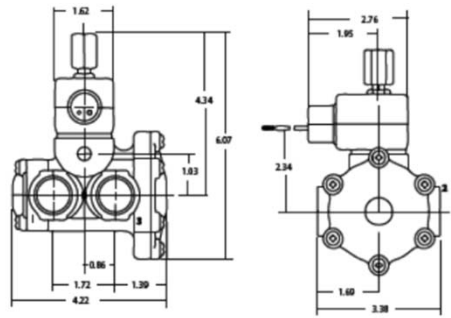


Valve	Dimensions										
	H	P	C	L	W	S	T	R	J	K	X1
73312BN3RN1	4.89	3.90	1.90	2.97	2.62	0.65	0.59	1.44	1.22	0.91	
73312BN4UN1	5.10	4.08	2.00	3.38	3.09	0.78	0.69	1.66	1.44	1.06	

Valve Reference B26



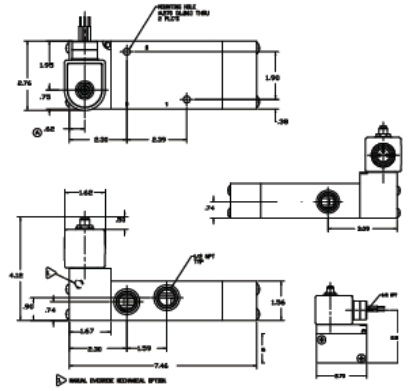
3-Way Normally Closed
Port Identification
1-Pressure/2-Cylinder/3-Exhaust



Valve Reference B33



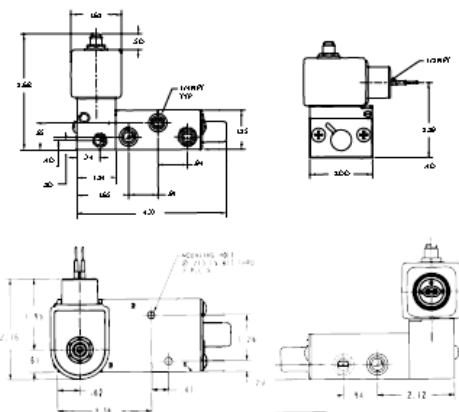
2-Way Normally Closed
Port Identification
2-Cylinder / 1-Pressure/2-Exhaust



Valve Reference C1



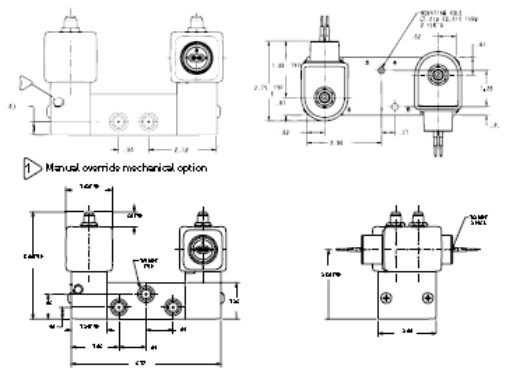
4-Way 2 position single solenoid
Port Identification:
Press-1/CYL-2/EXH-3/5



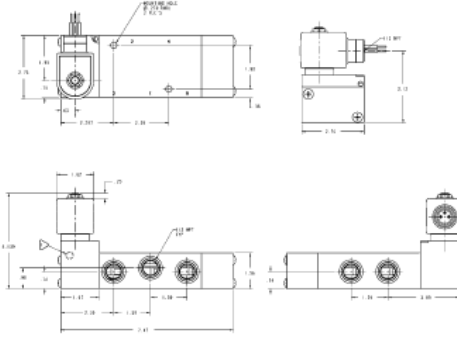
Valve Reference C3



4-Way 2 position dual solenoid
Port Identification:
Press-1/CYL-2/EXH-3/5

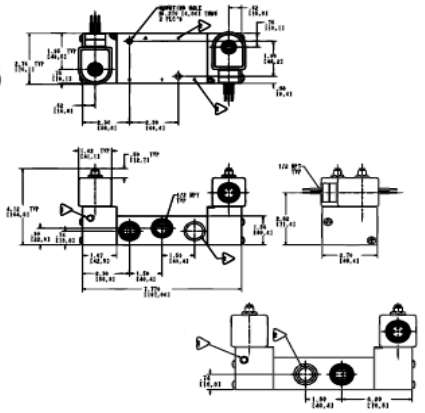


Valve Reference C10



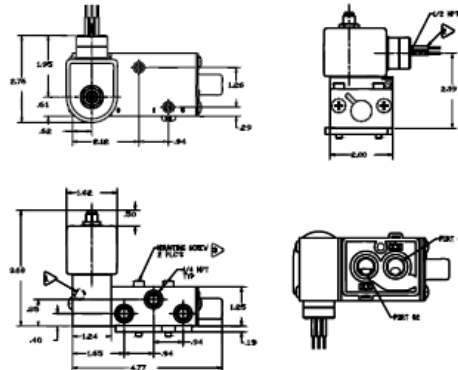
4-Way 2 position single solenoid
Port Identification:
Press-1, CYL-2, 4, EXH - 3, 5

Valve Reference C11



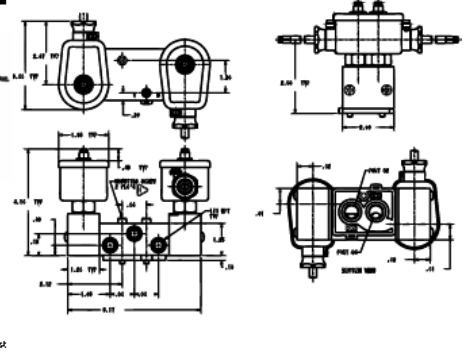
4-Way 2 position dual solenoid
Port Identification:
1-Pressure/2, 4-Cylinder/3, 5-Exhaust

Valve Reference C13



S/Q 4-Way 2 Position Single Solenoid
Port Identification:
1- Pressure/2, 4 - Cylinder/3, 5 - Exhaust

Valve Reference C14



S/Q 4-Way 2 Position Dual Solenoid
Port Identification:
1- Pressure/2, 4 - Cylinder/3, 5 - Exhaust

CHART 12

Part Number	Type of Termination*	Voltage	Wattage	Class
C711C2	1/2" NPT Conduit Type 4X	24VDC	0.6	F
H711C2	UL Hazardous TYPE 7 & 9	24VDC	0.6	F

Materials of Constructions

Product	Wattage	Type	Port Size	Body	Sleeve Tube	Sleeve Stop	Sleeve Flange	Plunger Blank	Plunger Spring	Shading Ring	Max. Ambient
Three-Way Direct Acting											
7131KB	10	3WNC	1/4	Brass	304	430FR	430F	430FR	301	Copper	150°F
7131VV	10	3WNC	1/4	304	304	430FR	430F	430FR	18-8	Copper	150°F
Three-Way Pilot											
73312B	10	3WNC	3/8 - 3/4	Brass	304	430FR	430F	430FR	18-8	Copper	150°F
73317B	10	3WNC	1/4 - 1/2	Brass	304	430FR	430F	430FR	18-8	Copper	167°F
73317V	10	3WNC	1/4 - 1/2	303	304	430FR	430F	430FR	18-8	Copper	167°F
Four-Way Pilot - Piped Body											
73417BN2	10	5/2	1/4	Brass	304	430FR	430F	430FR	18-8	Copper	167°F
73417BN4	10	5/2	1/2	Brass	304	430FR	430F	430FR	18-8	Copper	167°F
73417VN2	10	5/2	1/4	303	304	430FR	430F	430FR	18-8	Copper	167°F
73477BN2	10	5/2	1/4	Brass	304	430FR	430F	430FR	18-8	Copper	167°F
73477BN4	10	5/2	1/2	Brass	304	430FR	430F	430FR	18-8	Copper	167°F
73477VN2	10	5/2	1/4	303	304	430FR	430F	430FR	18-8	Copper	167°F
Four-Way Pilot - Direct Mount NAMUR											
73417AK	10	3/2 or 5/2	1/4	Aluminum	304	430FR	430F	430FR	18-8	Copper	167°F
73477AK	10	3/2 or 5/2	1/4	Brass	304	430FR	430F	430FR	18-8	Copper	167°F



Parker Hannifin Corporation
Fluid Control Division
 1 800 825 8305
www.parker.com/fcd

